

Quick Detail:

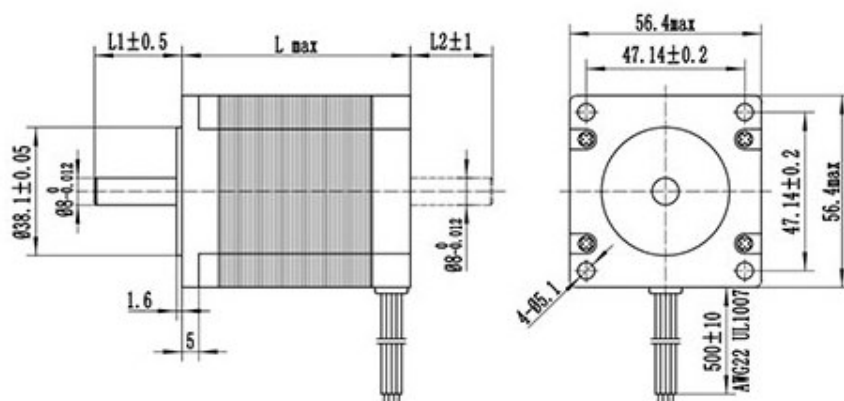
Item	Specifications
Step Angle Accuracy	±5%
Resistance Accuracy	±10%
Inductance Accuracy	±20%
Temperature Rise	80°C Max
Ambient Temperature	-20°C~+50°C
Insulation Resistance	100MΩMin.500VDC
Dielectric Strength	500VAC for one minute
Shaft Radial Play	0.02Max.(450g-load)
Shaft Axial Play	0.08Max.(450g-load)

Model No	Step Angle (°)	Rated Voltage (V)	Rated Current (A)	Phase Resistance (Ω)	Phase Inductance (mH)	Holding Torque (Kg.cm)	Detent Torque (g.cm Max)	Rotor Inertia (g.cm ²)	Motor Length (mm)	Leads No.	Motor Weight (Kg)
57HS41-2004	1.8	2	2	1	1.2	3.2	210	120	41	4	0.45
57HS41-1004	1.8	5.4	1	5.4	9.5	5.5	210	120	41	4	0.45
57HS41-2004	1.8	2	2	1	2.2	5	210	120	41	4	0.45
57HS51-1504	1.8	2.4	1.5	1.6	3.8	8.2	360	275	51	4	0.65
57HS51-2004	1.8	2.4	2	1.2	3	9	360	275	51	4	0.65
57HS51-2006	1.8	2	2	1	1.6	7	360	275	51	6	0.65
57HS56-1504	1.8	5.7	1.5	3.8	12	13.5	400	300	56	4	0.7
57HS56-3004	1.8	2.85	3	0.95	2.8	12	400	300	56	4	0.7
57HS56-2006	1.8	3.6	2	1.8	2.8	9	400	300	56	6	0.7
57HS64-3004	1.8	3.9	3	1.3	2.2	15	500	380	64	4	0.8
57HS76-2004	1.8	8.6	2	4.3	16.2	24	680	480	76	4	1
57HS76-3004	1.8	2.7	3	0.9	3.5	20	680	480	76	4	1
57HS76-4004	1.8	2.4	4	0.6	2.2	20	680	480	76	4	1
57HS82-3004	1.8	4.2	3	1.4	5	22	700	510	82	4	1.2
57HS82-4004	1.8	3	4	0.75	3.5	20	700	510	82	4	1.2
57HS100-3004	1.8	3	3	1	4.5	25	1000	680	100	4	1.4
57HS112-3004	1.8	3.9	3	1.3	6.5	30	1200	800	112	4	1.7
57HS112-3504	1.8	2.45	3.5	0.7	3	28	1200	800	112	4	1.7

Above only for representative products, products of special request can be made according to the customer request.

Dimensions

unit=mm



Wiring Diagram:

