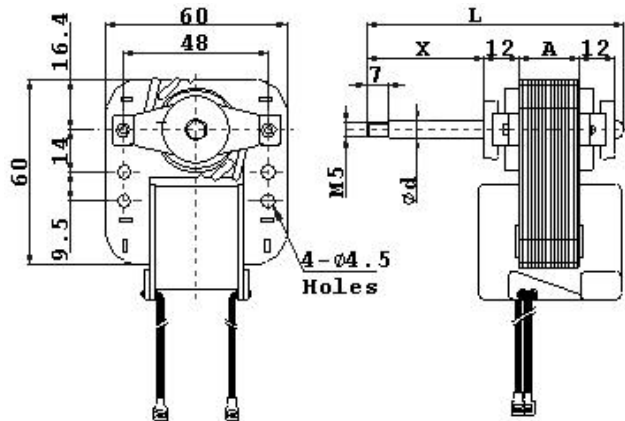


# Shaded Pole Motor TW-60 series

Output Power: 1.0 ~20.0 W (Approx)



## MAIN APPLICATION:

- ※ Ventilator, Heater, Air Purifier
- ※ Hand Dryer, Can Opener

## FEATURES:

Shaft diameter can be:  $\phi 4$ ,  $\phi 5$ ,  $\phi 5.5$ ,  $\phi 6$  &  $\phi 6.35$ mm. Shaft length can be any as customers' needs.

Stator thickness (A) can be any from 8mm to 50mm to reach different power.

Brackets can be either sealed or explosive. Its height can be changed.

Bearing can be sleeve or ball bearing as customer's need.

Motor rotation direction can be CW or CCW.

The coil can be ABS plastic sealed or epoxy resin embedded according to customer's requirements.

Leading out by cable or by terminals are both available.

EMC components are available for anti electromagnetic interference. TCO (thermal cut-off) is also available for over heating protection.\_

Model	Rating		Free Load		On Load				
			Current	Speed	Input	Output	Speed	Torque	Current
	VOLT	HZ	A	RPM	W	W	RPM	G.CM	A
TW-6010M12-1	120	60	0.265	3330	14.50	1.50	2450	60.0	0.275
TW-6010M12-2	120	60	0.168	3300	12.50	2.00	2616	75.0	0.185
TW-6010M22-1	220	50	0.100	2920	14.00	2.90	2370	120.0	0.107
TW-6010M23-1	230	50	0.180	2911	18.60	2.00	2450	80.0	0.185
TW-6010M23-2	230	50	0.125	2890	15.50	2.10	2430	80.0	0.135
TW-6013M22-1	220	50	0.145	2860	16.50	3.30	2600	125.0	0.160
TW-6013M12-1	120	60	0.410	3400	23.50	3.29	2580	125.0	0.430
TW-6014M12-1	120	60	0.220	3400	18.00	3.20	2610	120.0	0.260
TW-6014M12-2	120	60	0.410	3400	23.50	3.29	2580	125.0	0.430
TW-6014M22-1	220	50	0.087	2920	14.50	2.90	2370	120.0	0.108
TW-6014M22-2	220	50	0.106	2870	15.50	2.60	2550	100.0	0.115

**ELECTRICAL SPECIFICATION CHART: (The specifications can be changed as customers' requirement)**